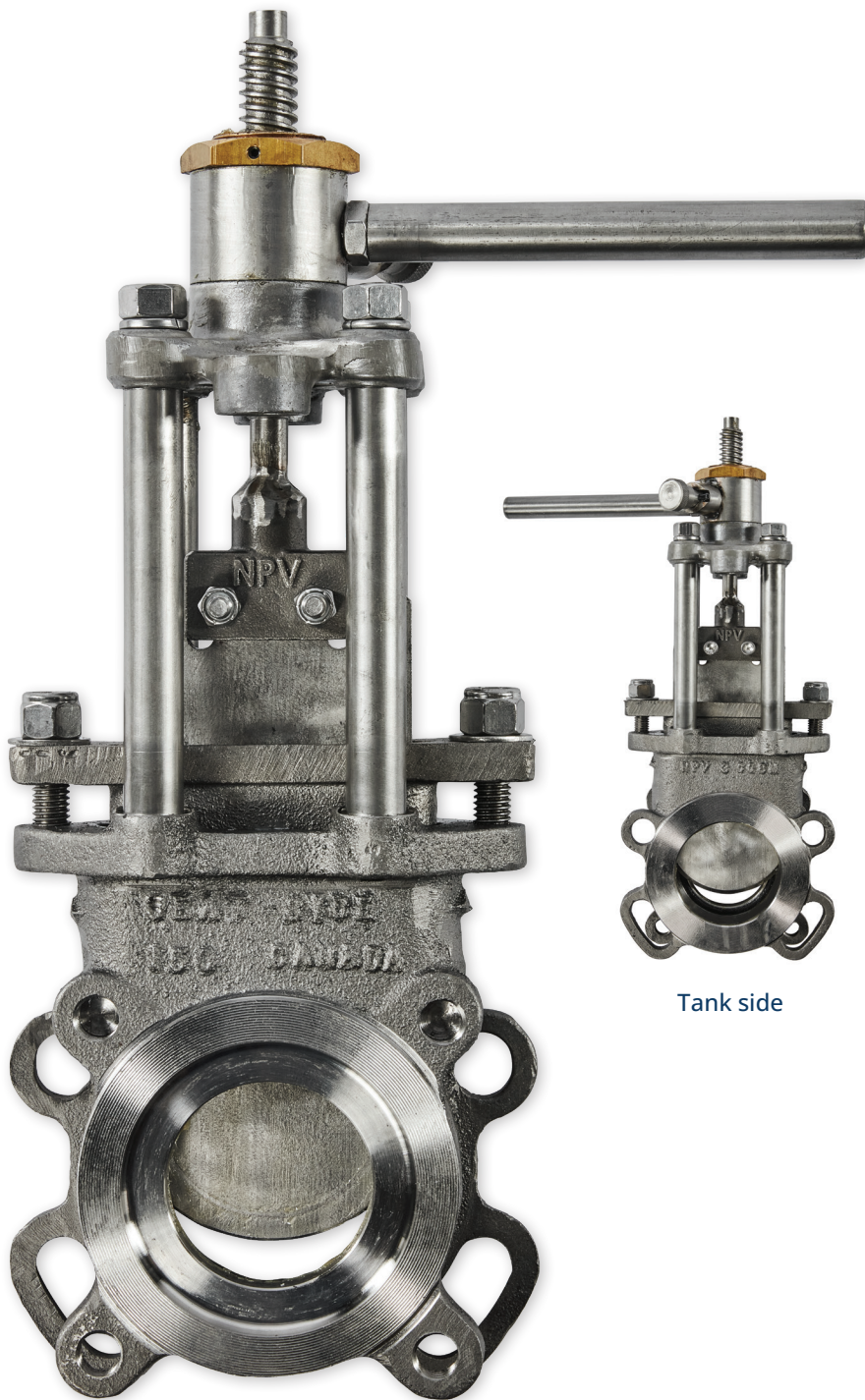


## FEATURES AND BENEFITS

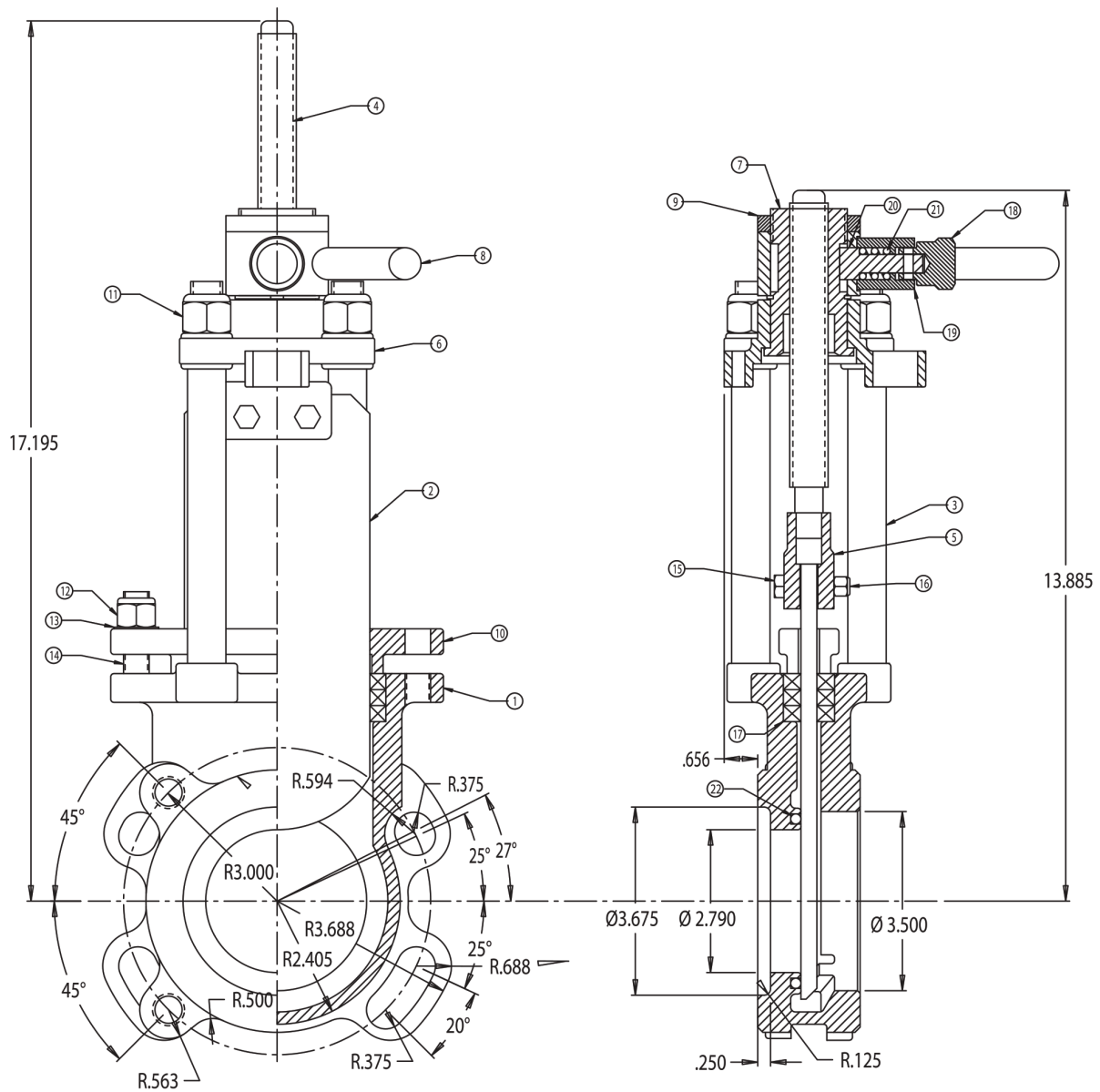
1. For positive isolation of all transmitters to facilitate repair, calibration or replacement
2. Valve port is precision machined to the transmitter diaphragm dimensions, providing for a most accurate reading
3. Special flange design with offset bolt pattern allows valve to be bolted directly to the tank
4. Purge port at the 6 o'clock position
5. All 317 stainless steel body and gate along with Teflon packing makes this valve suitable for both kraft and bleach mills
6. All stainless steel corrosion resistant ratchet handle manufactured by NPV
7. Transmitter Isolation Valve can also be furnished with standard 150LBS ANSI threaded lug body flanges on both inlet and outlet
8. Other alloys for body and gate available upon request



Transmitter side

Tank side

# NPV 3" TRANSMITTER ISOLATION VALVE SERIES 700



#	PART NAME	MATERIAL
1	BODY	CG8M (317 S.S.)
2	GATE	317 S.S.
3	STANCHION	303 S.S.
4	STEM	303 S.S.
5	COUPLING	CG8M (317 S.S.)
6	BRIDGE	ALUMINUM 356
7	YOKE SLEEVE	660 BRONZE
8	HANDLE	ALUMINUM
9	NUT	NAVY BRASS
10	GLAND	CG8M (317 S.S.)
11	BRIDGE NYLOCK NUT	18.8 S.S.
12	GLAND NYLOCK NUT	18.8 S.S.
13	GLAND WASHER	18.8 S.S.
14	GLAND STUD	18.8 S.S.
15	COUPLING BOLT	18.8 S.S.
16	COUPLING NYLOCK NUT	18.8 S.S.
17	PACKING	SYNTHETIC (2-12PH)
18	KNOB	303 S.S.
19	BUSHING	303 S.S.
20	PIN	303 S.S.
21	SPRING	STEEL
22	O-RING	VITON