

## NPV HD/MD REJECT CHAMBER VALVE ROUND BY ROUND FLANGED

SERIES  
350

### FEATURES AND BENEFITS

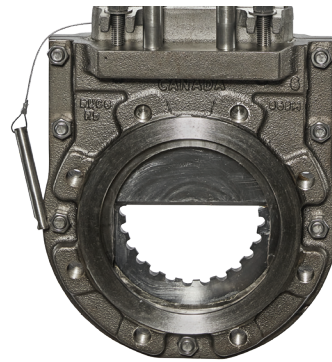
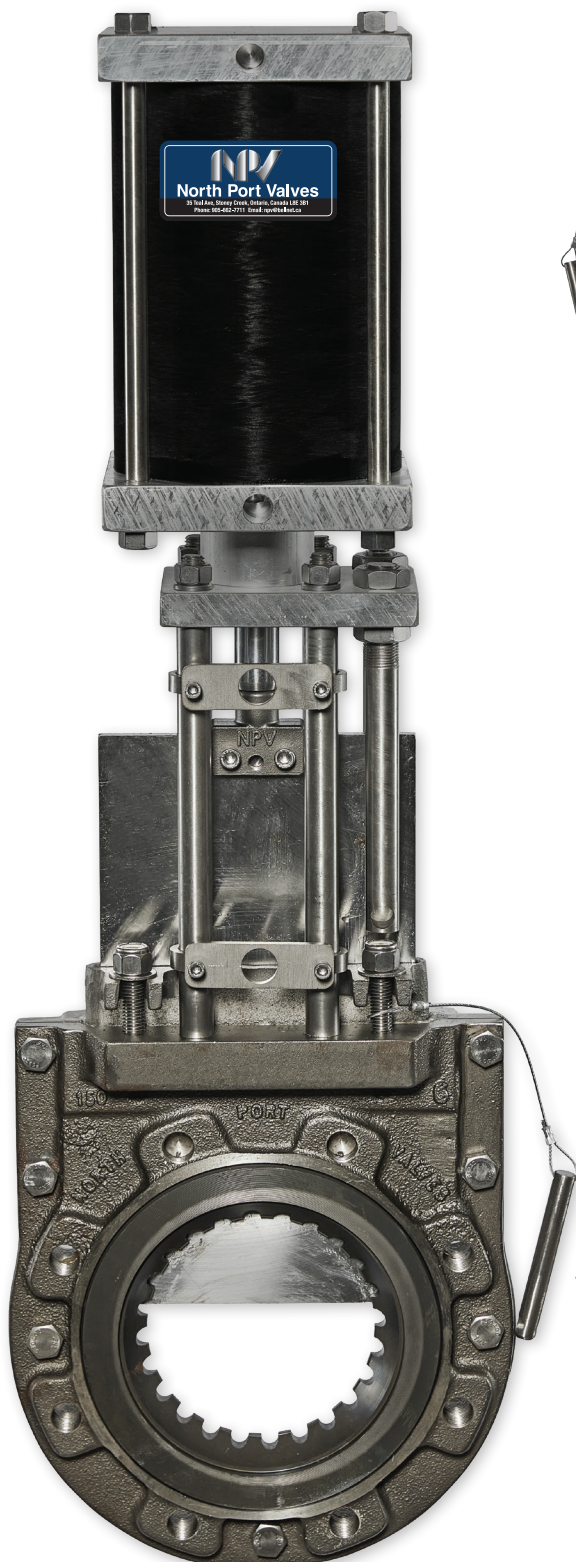
1. The NPV HD/MD Reject Chamber Valve is designed specifically to handle the wire, staples, glass and sand typically found in recycle paper mill reject systems
2. Precision machined body castings prevent accumulation of solids and trash which would prohibit the valve from fully opening and or closing
3. Gate, seat cartridge and gate guide are 420 stainless steel heat treated and hardened (RC60), which extends the life cycle of the valve
4. Valve design allows for complete factory rebuild to like new condition at 50%-60% of the current list price
5. Gates are chrome plated to reduce friction and valve torque extending the life of the packing
6. All NPV valves designed for recycle/heavy trash applications are equipped with high-cycle, premium carbon packing
7. All NPV/DUCO valves are supplied with NPV high cycle pneumatic cylinder, limit switch brackets and stainless steel mechanical lockout. Locks in closed position only
8. Available in sizes 6", 8", 10" & 12"

*NOTE: Valve must be installed in the horizontal position*



### TYPICAL APPLICATIONS INCLUDE

1. High density cleaners in recycle mills



Round flanged,  
outlet side

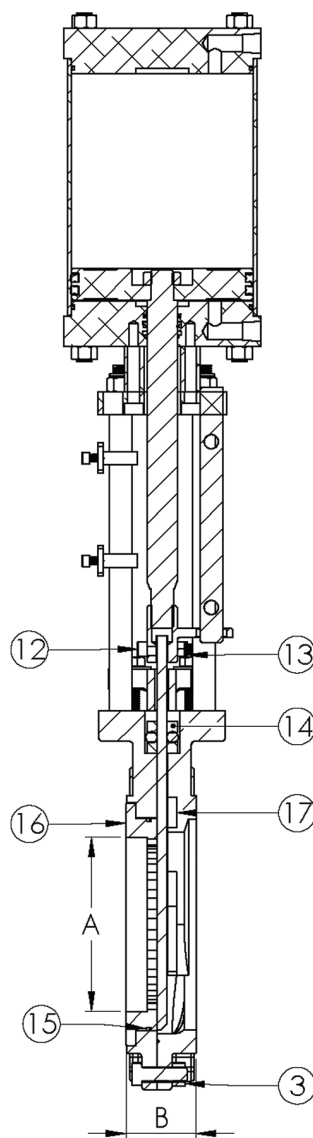
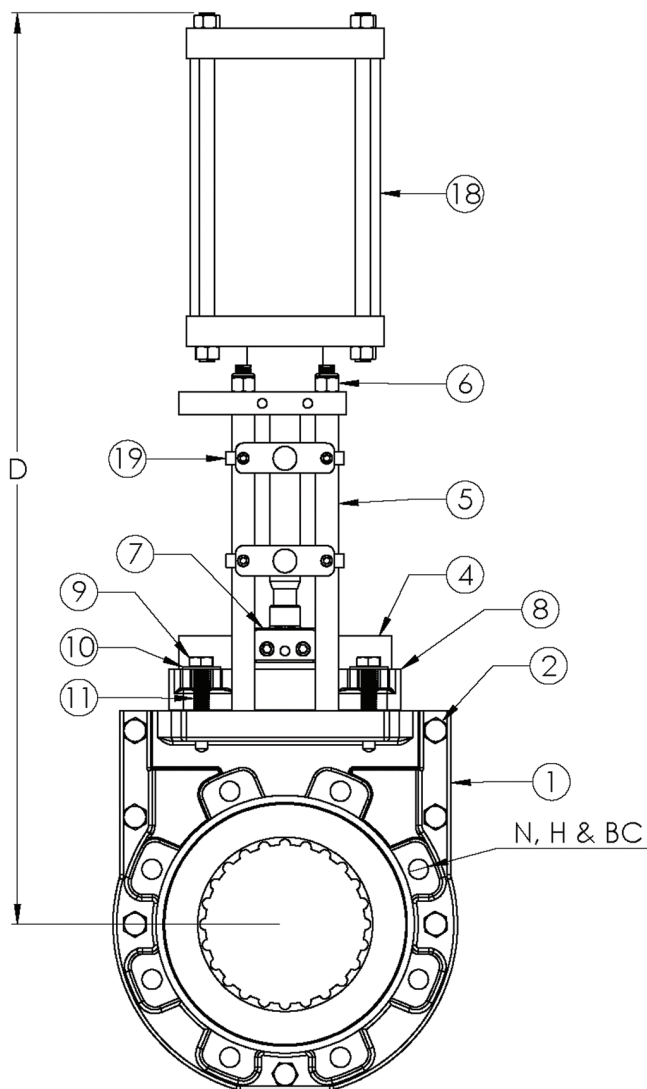


Safety guards available  
upon request



Factory replaceable -  
hardened gate,  
cartridge and guide

**NPV HD/MD REJECT CHAMBER VALVE  
ROUND BY ROUND FLANGED  
SERIES 350**



	6"	8"	10"	12"
<b>A</b>	5 3/4"	7 5/8"	9 1/2"	11 1/8"
<b>B</b>	2 1/4"	2 3/4"	2 3/4"	3"
<b>N(HOLES)</b>	8	8	12	12
<b>H(TAP)</b>	3/4" - 10	3/4" - 10	7/8" - 9	7/8" - 9
<b>BC</b>	9 1/2"	11 3/4"	14 1/4"	17"
<b>D</b>	29 3/4"	38 1/4"	46"	53 1/2"

#	PART NAME	MATERIAL
1	BODY	CG8M (317 S.S.)
2	BODY BOLTS	18.8 S.S.
3	BODY NUTS	18.8 S.S.
4	HARDENED GATE	420 S.S.
5	STANCHION	303 S.S.
6	STANCHION NUT	18.8 S.S.
7	COUPLING	CG8M (317 S.S.)
8	GLAND	CG8M (317 S.S.)
9	GLAND NYLOCK NUT	18.8 S.S.
10	GLAND WASHER	18.8 S.S.
11	GLAND STUD	18.8 S.S.
12	COUPLING BOLT	18.8 S.S.
13	COUPLING NYLOCK NUT	18.8 S.S.
14	PACKING	PREMIUM CARBON
15	O-RING SEAL	VITON
16	HARDENED INSERT RING	420 S.S.
17	HARDENED BACKUP PLATE	420 S.S.
18	AIR CYLINDER ASSEMBLY	N/A
19	LIMIT SWITCH BRACKETS	STAINLESS STEEL