

NPV DUCO BIDIRECTIONAL PERIMETER SEATED VALVE WITH CONE DEFLECTOR

SERIES
250

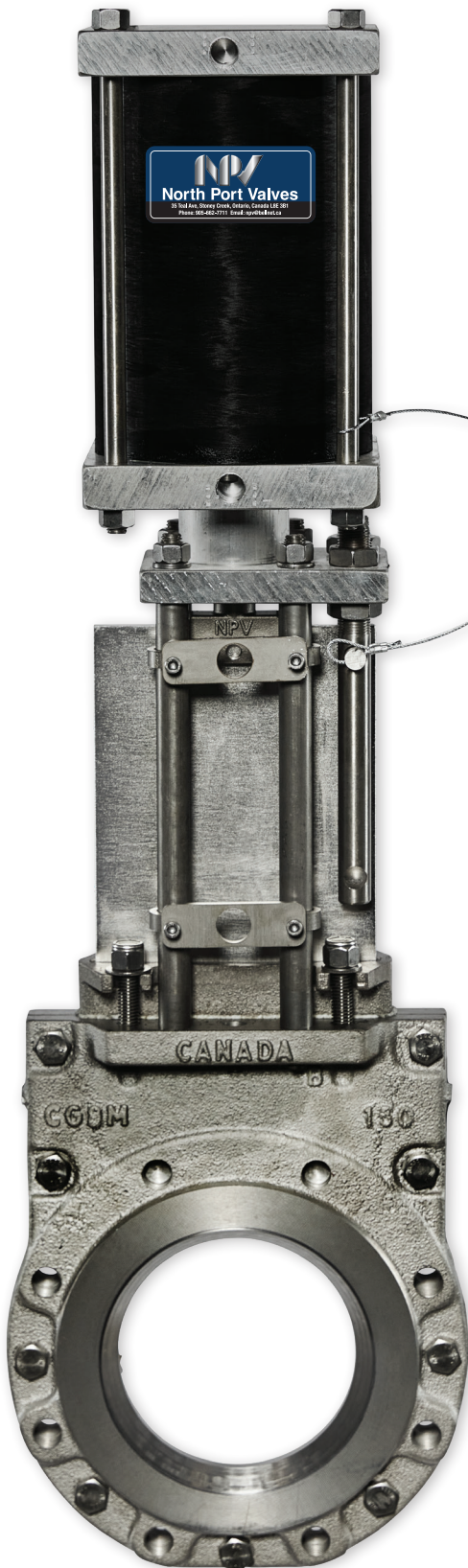
FEATURES AND BENEFITS

1. Addition of Cone Deflector protects and extends the integrity of the perimeter seat in heavy solids, slurries and abrasive applications
2. Depending on abrasiveness of the application we offer two options. A 317SS cone which is machined into the body, for low to mildly abrasive applications, and a 420SS heat treated and hardened cone deflector cartridge (RC60) for highly abrasive applications.
3. Perimeter seating guarantees bidirectional bubble tight shutoff. Cavity free body design prevents de-watering of pulp stock and is ideal in slurries, powders, plastics and other solids handling applications
4. Elastomer seat is mechanically retained between body halves preventing movement or separation from the body, unlike standard o-ring seated valves
5. Precision machined body halves serve as scrapper blades, which clean the gate and extend the life of the packing system
6. Two-piece body design simplifies replacement of gate, packing, seat ring and topworks
7. All NPV/DUCO valve body castings are of 317 stainless steel (CG8M). Cone deflectors are available in 317SS and 420SS heat treated and hardened
8. All external valve components - stanchions, bolting, bridge, stem, clevis, packing follower and lockout- are of stainless steel construction which eliminates external corrosion
9. Precision machining of the stuffing box with the live-loaded packing in conjunction with an additional Viton O-ring provides for a very dependable and adjustable packing system
10. All manual valves are equipped with a stainless steel lockout bar. All automated valves are equipped with a stainless steel mechanical lockout and bar
11. Available in sizes 2" - 30"

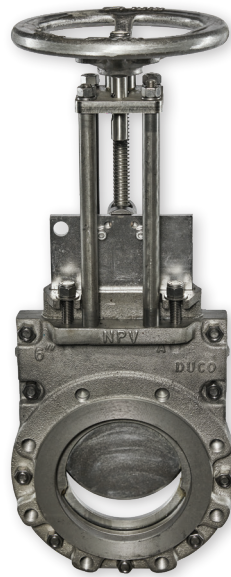


TYPICAL APPLICATIONS INCLUDE

1. Wet and Dry Ash
2. Pellets and granules
3. Plastic chips
4. Slurries with heavy solids such as lime slurry, lime mud, animal rendering plant waste and raw sewage

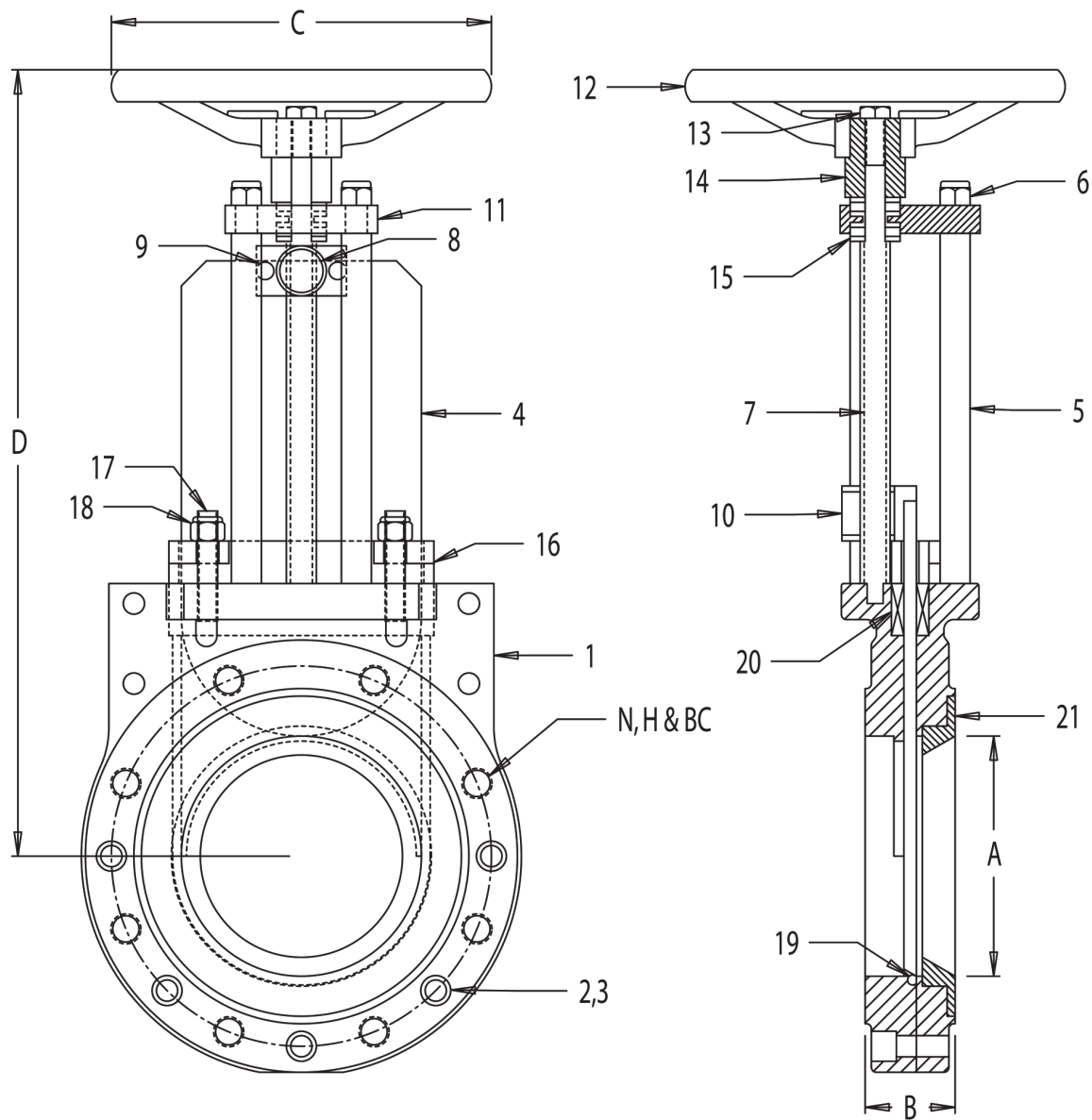


Smooth, cavity-free outlet



Hardened Cone
Deflector Cartridge

**NPV DUCO BIDIRECTIONAL PERIMETER SEATED VALVE
WITH CONE DEFLECTOR - HANDWHEEL OPERATED
SERIES 250**



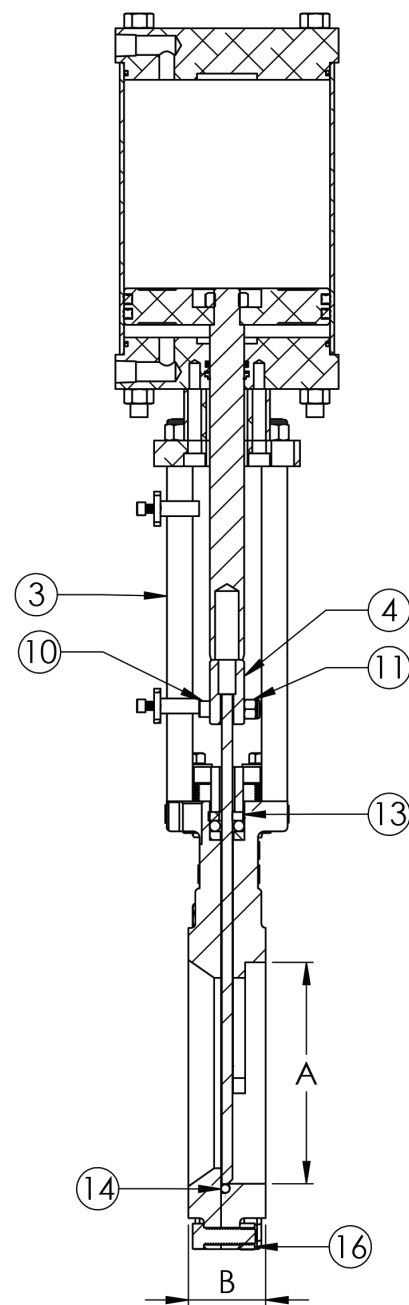
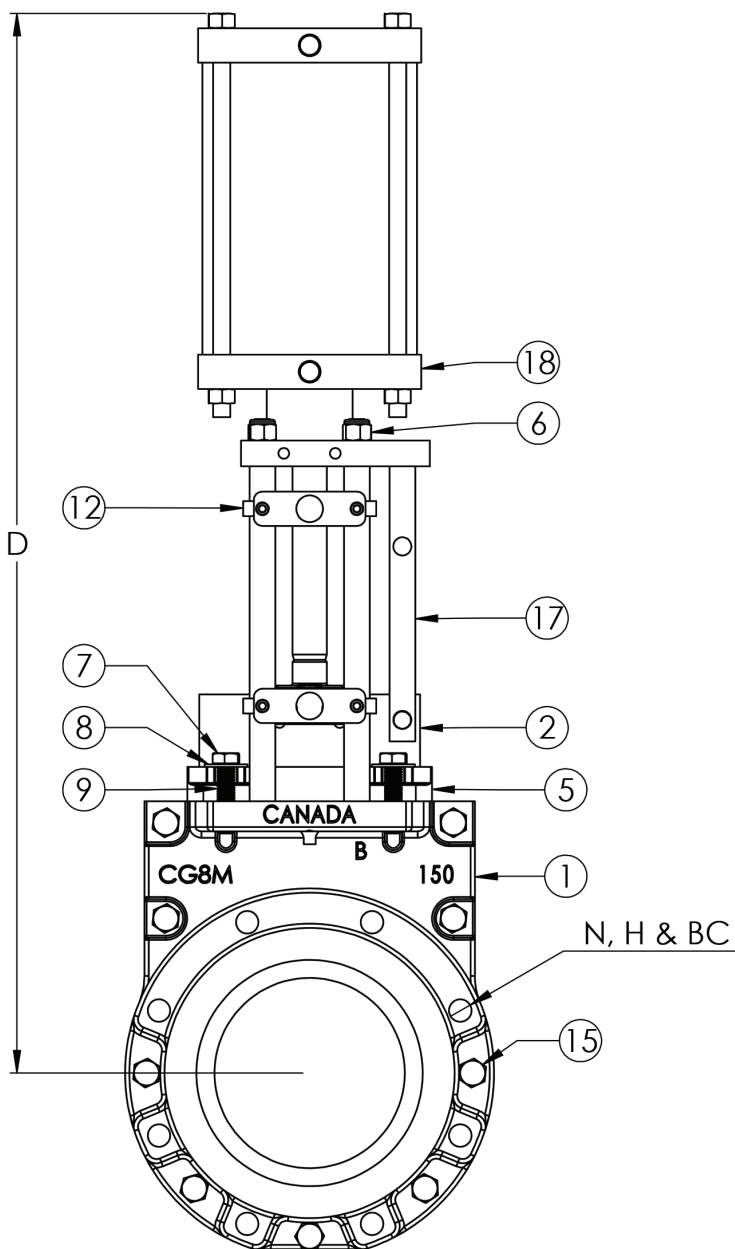
	3"	4"	6"	8"	10"	12"
A	3"	4"	6"	8"	10"	12"
B	2"	2"	2 1/4"	2 3/4"	2 3/4"	3"
N(HOLES)	4	8	8	8	12	12
H(TAP)	5/8" - 11	5/8" - 11	3/4" - 10	3/4" - 10	7/8" - 9	7/8" - 9
BC	6"	7 1/2"	9 1/2"	11 3/4"	14 1/4"	17"
C	7 1/2"	7 1/2"	9"	11 3/4"	11 3/4"	15 3/4"
D	15 1/2"	17"	20 1/4"	25"	30"	33 7/8"

	14"	16"	18"	20"	24"	30"
A	14"	16"	18"	20"	24"	28 5/16"
B	3"	3 1/2"	3 1/2"	4 1/2"	4 1/2"	4 1/2"
N(HOLES)	12	16	16	20	20	28
H(TAP)	1" - 8	1" - 8	1 1/8" - 7	1 1/8" - 7	1 1/4" - 7	1 1/4" - 7
BC	18 3/4"	21 1/4"	22 3/4"	25"	29 1/2"	36"
C	15 3/4"	15 3/4"	20"	20"	23 5/8"	26 3/4"
D	36 7/8"	44 1/2"	48 1/4"	53 7/8"	61"	72 1/2"

	PART NAME	MATERIAL
1	BODY	CG8M (317 S.S.)
2	BODY BOLTS	18.8 S.S.
3	BODY NUTS	18.8 S.S.
4	GATE	316L S.S.
5	STANCHION	303 S.S.
6	NYLOK NUT	18.8 S.S.
7	STEM	303 S.S.
8	COUPLING	303 S.S.
9	COUPLING BOLT	18.8 S.S.
10	STEM NUT	660 BRONZE
11	BRIDGE	304 S.S.
12	HANDWHEEL	ALUMINUM
13	HANDWHEEL BOLT	18.8 S.S.
14	YOKE	303 S.S.
15	BEARINGS	N/A
16	GLAND	CG8M (317 S.S.)
17	GLAND STUDS	18.8 S.S.
18	GLAND NYLOK NUT	18.8 S.S.
19	O-RING	VITON
20	PACKING	SYNTHETIC (2-12PH)
21	DEFLECTOR CONE	303 S.S.

NPV DUCO BIDIRECTIONAL PERIMETER SEATED VALVE WITH CONE DEFLECTOR - CYLINDER OPERATED

SERIES 250



	3"	4"	6"	8"	10"	12"
A	3"	4"	6"	8"	10"	12"
B	2"	2"	2 1/4"	2 3/4"	2 3/4"	3"
N(HOLES)	4	8	8	8	12	12
H(TAP)	5/8" - 11	5/8" - 11	3/4" - 10	3/4" - 10	7/8" - 9	7/8" - 9
BC	6"	7 1/2"	9 1/2"	11 3/4"	14 1/4"	17"
D	20 3/8"	22 1/4"	28 1/4"	34"	40"	49 3/4"

	14"	16"	18"	20"	24"	30"
A	14'	16'	18'	20'	24'	30'
B	3"	3 1/2"	3 1/2"	4 1/2"	4 1/2"	4 1/2"
N(HOLES)	12	16	16	20	20	28
H(TAP)	1" - 8	1" - 8	1 1/8" - 7	1 1/8" - 7	1 1/4" - 7	1 1/4" - 7
BC	18 3/4"	21 1/4"	22 3/4"	25"	29 1/2"	36"
D	54 1/4"	63 3/4"	68 1/2"	75 3/4"	87"	105 1/4"

#	PART NAME	MATERIAL
1	BODY	CG8M (317 S.S.)
2	GATE	316L S.S.
3	STANCHION	303 S.S.
4	COUPLING	CG8M (317 S.S.)
5	GLAND	CG8M (317 S.S.)
6	NYLOCK NUT	18.8 S.S.
7	GLAND NYLOCK NUT	18.8 S.S.
8	GLAND WASHER	18.8 S.S.
9	GLAND STUD	18.8 S.S.
10	COUPLING BOLT	18.8 S.S.
11	NYLOCK NUT	18.8 S.S.
12	LIMIT SWITCH BRACKETS	STAINLESS STEEL
13	PACKING	TEFLON
14	O-RING	VITON
15	HEX BOLT	18.8 S.S.
16	NUT	18.8 S.S.
17	LOCKOUT BAR	303 S.S.
18	AIR CYLINDER ASSEMBLY	N/A