

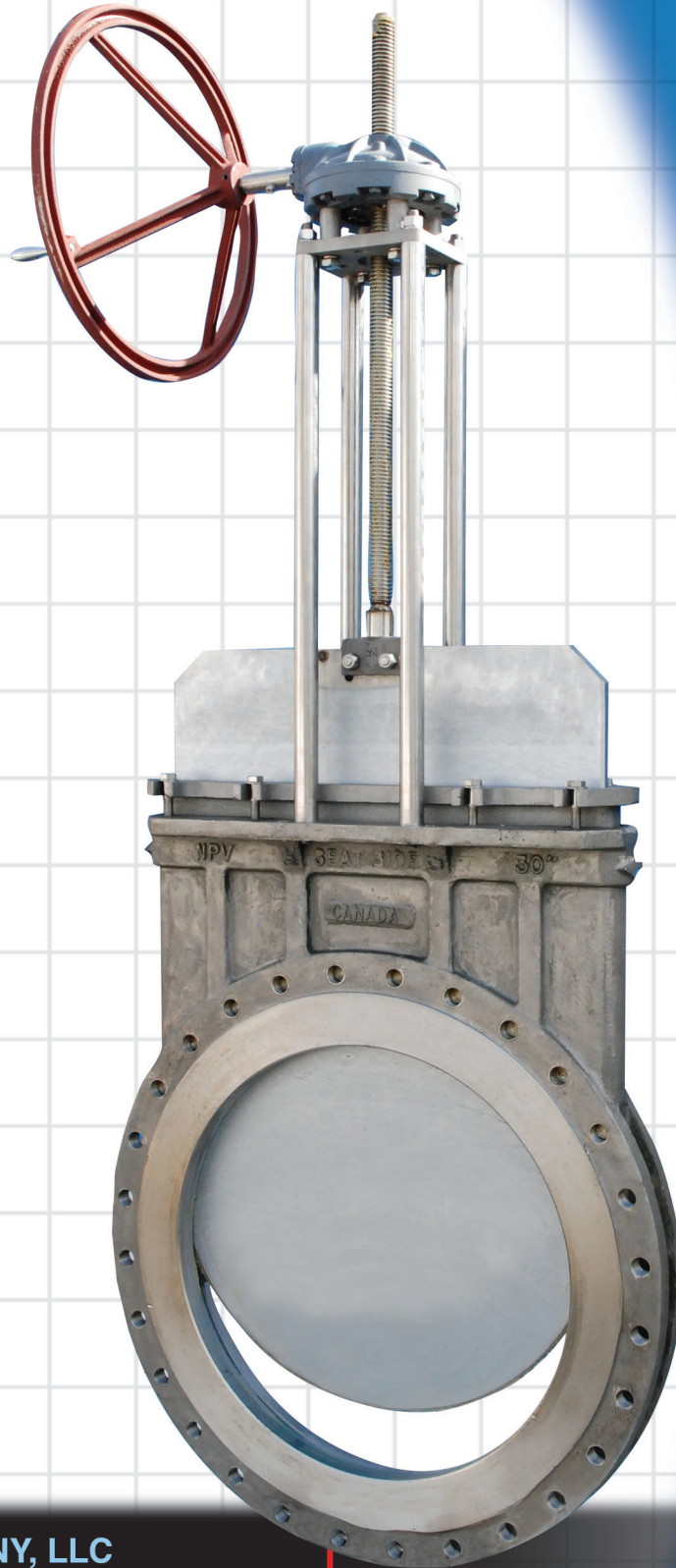
NPV Unidirectional Valve Full Flanged, Large Diameter 18"- 48"

Series 150

Features and Benefits :

1. NPV Unidirectional valve design provides for full guiding of gate throughout the cycle which prevents any gate distortion even in the event of a back pressure
2. Full guiding of the gate within the valve casting eliminates excessive gate movement, extending the cycle life of the packing gland
3. Unidirectional valve with metal to metal seats meets Class 3 shutoff in liquid service in preferred direction
4. Unidirectional valve with elastomer seats meets bubble-tight shutoff requirements in liquid service in preferred direction
5. All NPV valves are provided standard with stainless steel lockout, both manual and cylinder operated
6. NPV Cylinders can be mounted at time of manufacture, or by design easily retrofitted in the field
7. Valve is manufactured of Stainless Steel components that prevent damage from corrosion, both internal and external
8. Full flanged Unidirectional valves are available from 18"-48" diameter, metal and elastomer seated. Larger diameters available upon request

NOTE: All Unidirectional valves must have pressure behind the gate upon closing for proper sealing



Full flanged ANSI threaded bolt holes



Manual lockout

REPLACEABLE SEAT CARTRIDGES:



Typical applications include:

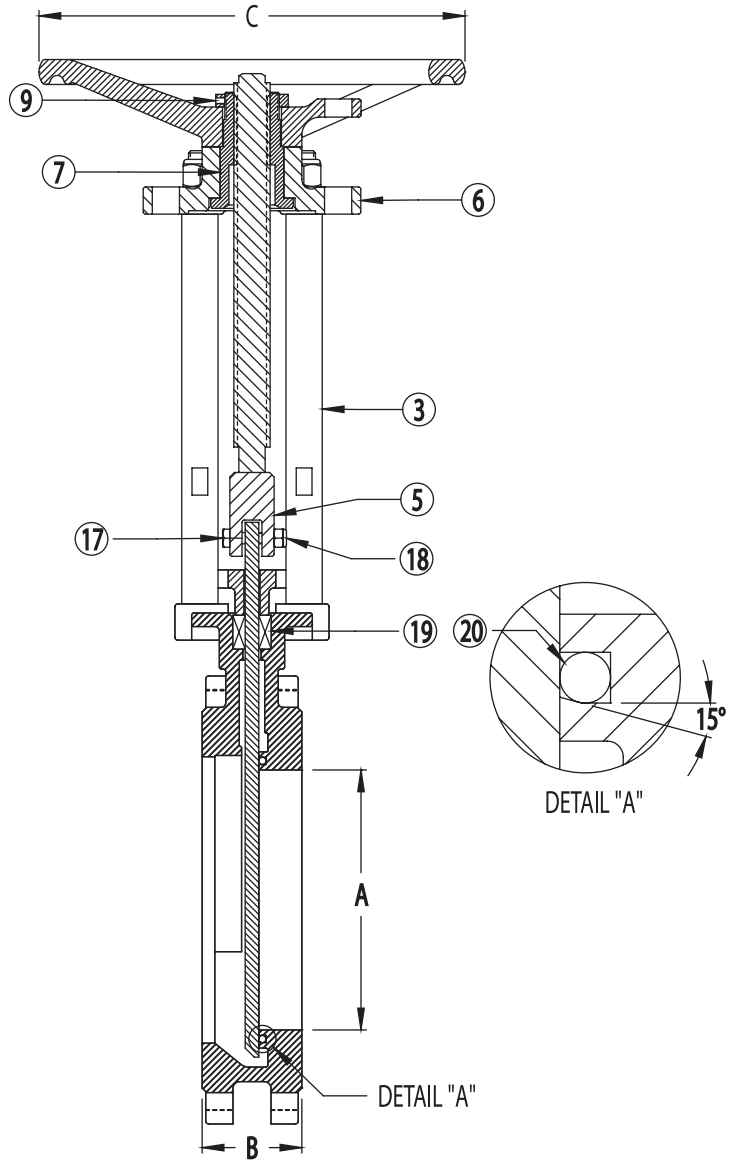
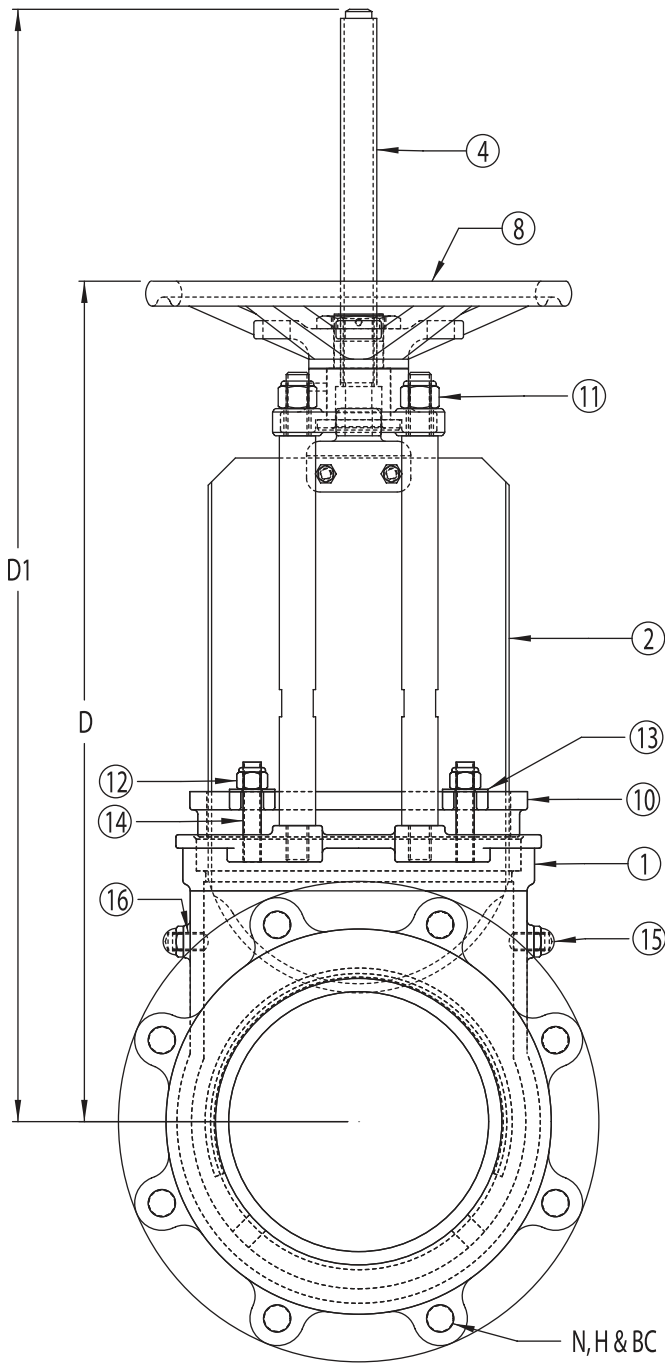
1. Low density stock
2. Moderate slurries
3. Water applications with elastomer seal
4. Can be modified for heavy pulp stock such as isolation on stock storage towers

DUFRENE AND COMPANY, LLC
EXCLUSIVE AGENT/NORTH PORT VALVES

BRIAN M. DUFRENE
VICE PRESIDENT/BUSINESS DEVELOPMENT

CELL: 225-938-5025
brian@dufrenevalve.com
OFC: 225-753-5006
FAX: 225-753-8828
sales@dufrenevalve.com

NPV Unidirectional Valve Full Flanged, Large Diameter 18" - 48"



	18"	20"	24"	30"	36"	42"	48"
A	17 7/16"	19 11/32"	23"	28 5/16"	33 1/2"	39"	44"
B	3 1/2"	4 1/2"	4 1/2"	4 1/2"	5"	5"	6"
N(HOLES)	16	20	20	28	32	36	44
H(TAP)	1 1/8" - 7	1 1/8" - 7	1 1/4" - 7	1 1/4" - 7	1 1/2" - 6	1 1/2" - 6	1 1/2" - 6
BC	22 3/4"	25"	29 1/2"	36"	42 3/4"	49 1/2"	56"
C	20"	20"	23 5/8"	26 3/4"	31 1/2"	31 1/2"	31 1/2"
D	48 1/4"	53 7/8"	61"	72 1/2"	90"	115"	132"
D1	66"	73 5/8"	84 3/4"	106"	129"	156"	176"
WGT.	438	630	960	1390	1820	N/A	N/A

#	PART NAME	MATERIAL
1	BODY	CG8M (317 S.S.)
2	GATE	316L S.S.
3	STANCHION	303 S.S.
4	STEM	303 S.S.
5	COUPLING	CG8M (317 S.S.)
6	BRIDGE	ALUMINUM 356
7	YOKE SLEEVE	660 BRONZE
8	HANDWHEEL	ALUMINUM
9	HANDWHEEL NUT	NAVY BRASS
10	GLAND	CG8M (317 S.S.)
11	BRIDGE NYLOCK NUT	18.8 S.S.
12	GLAND NYLOCK NUT	18.8 S.S.
13	GLAND WASHER	18.8 S.S.
14	GLAND STUD	18.8 S.S.
15	ACORN NUT	BRASS
16	ALIGNMENT STUD	18.8 S.S.
17	COUPLING BOLT	18.8 S.S.
18	COUPLING NYLOCK NUT	18.8 S.S.
19	PACKING	TEFLON
20	O - RING	VITON